

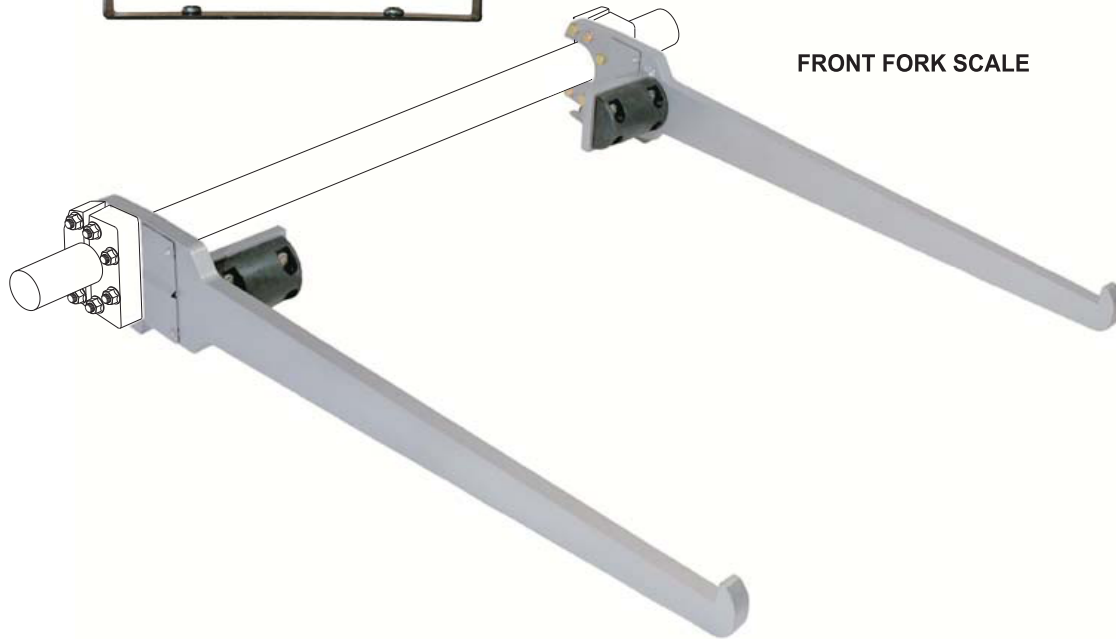
The Vulcan Front Fork Scale

The highest quality front fork scale for refuse weighing applications.

The Vulcan Front Fork Scale fits all types of front loaders in refuse applications. The rugged, bolt-on weight sensing forks replace the truck's existing forks. Working in conjunction with the Vulcan V600 electronics, the system measures the weight collected from each container and tracks the total net payload weight. The V600 meter offers data acquisition and expansion capabilities.



V600 METER



FRONT FORK SCALE

KEY FEATURES AND BENEFITS:

- Flexible - manual, static and weigh-in-motion options available (consult factory or appropriate Application Note for details)
- Easy installation - replaces your existing forks
- Bolt on - forks bolt to mounting kits that can be welded to various types of cross tubes
- Rugged - machined from a solid bar of high strength alloy steel, uses a reliable, double sealed military style connector
- Light weight design - negligible impact on the truck's weight
- Data acquisition - can record up to 1500 events including: date, time, pick-up weight, stop number, and exceptions
- Lockout feature - allows full operation of scales while safeguarding against accidental changing of calibration
- Expansion capabilities - serial interface to printers, on-board computers, wireless communication systems, and other devices

QUALITY, DEPENDABILITY, SIMPLICITY FROM THE WORLD LEADER IN ON-BOARD SCALES



FRONT FORK SCALE

LOAD CELL FOR REFUSE WEIGHING APPLICATIONS

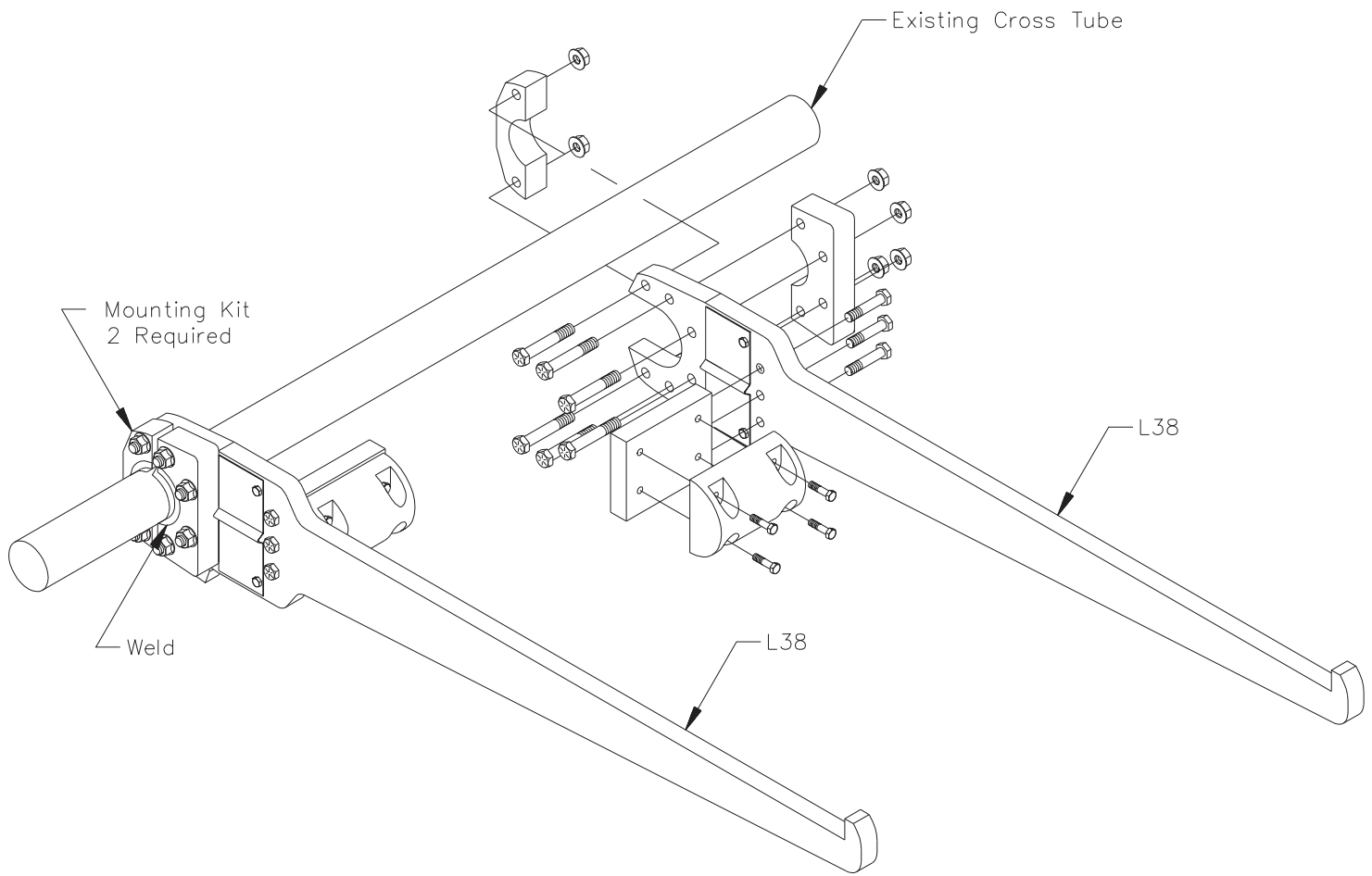
UNITED STATES

STRESS-TEK, INC.
5920 SOUTH 194th STREET
KENT WASHINGTON 98032
PHONE: 253 872-1910
800 237-0022
FAX: 253 872-9626
EMAIL : info@vulcanscales.com
www.vulcanscales.com

CANADA

STRESS-TEK, INC.
UNIT #11
1642 LANGAN AVENUE
PORT COQUITLAM B.C.
V3C 1K5
PHONE: 800 663-0854

VULCAN FRONT FORK SCALE



CROSS TUBE MOUNTING KITS (Hxx)

3.5" ROUND
4" ROUND
4" SQUARE
4.5" ROUND
UNIVERSAL

NOTE: Consult factory for appropriate mounting kit

SPECIFICATION:

CAPACITY: 10,000 lb

LOAD CELL ACCURACY: a: within 1% of Individual Pickup Weight
b: within .5% of Net Payload Weight
Note: Actual operational accuracy may vary.
Consult factory for details

MATERIAL: High strength alloy steel

FINISH: Plated for increased rust protection

REPRESENTED BY: